

65" | 75" | 86"

Smart Board® NX

Professioneel Smart display



Actueel
Vandaal
bestendigen en
robuust display



Sensor
Omgevingslicht
sensor

Aansluitpaneel
Quick start

Interactief
Gehard en ontspiegeld glas

Draadloos
Draadloos
presenteren

Speaker
Geïntegreerde
soundbar

Bedieningspaneel
Basisfuncties direct
beschikbaar

✓ ScreenShare (Airplay, Miracast, Google cast)

✓ Full featured USB-C met power delivery

✓ HDMI 2.0 Ultra HD 4K 60Hz

✓ Wi-Fi 6, BT5.2 en LAN in - en uitgang

✓ 2 x 20 Watt stereo hifi soundbar

✓ OPS computer slot

✓ HDMI uitgang

✓ SMART Remote Management compatibel

Uw SMART Board ophangen

Montage opties

Bekijk alle montage opties op smartboard.nl/shop

VERIJDBAAR ONDERSTEL



✓ Grijs, zwart of wit

✓ Elektrisch in hoogte verstelbaar

DESIGN WAND LIFT



✓ Luxe uitstraling

✓ Elektrisch in hoogte verstelbaar

Uw SMART Board uitbreiden

Accessoires

Bekijk alle accessoires op smartboard.nl/shop

VIDEOBARS



✓ O.a Teams, Zoom en Meet

✓ Maak hybride overleg mogelijk

WINDOWS SLOT-IN PC



✓ Intel core i5 of i7 processor

✓ Windows 11 PRO

Specificaties



Display	
Screen sizes (diagonal)	65" 75" 86"
Backlight	LED
Aspect ratio	16:9
Maximum display resolution	4K UHD (3840 × 2160)
Refresh rate	60 Hz
Lifespan	≥ 50,000 hours
Brightness ¹	400 cd/m ²
Display response time	≤ 8 ms
Viewing angle	178°
Glass	Full heat-tempered Anti-glare Bonded
Frame color	Black
Sensors	Ambient light Infrared
Audio	2 integrated 20W speakers with high fidelity audio

Connectivity	
Wired	RJ45 (x2) 1000BASE-T
Wi-Fi	IEEE 802.11ax (Wi-Fi 6) supporting WEP, WPA, WPA2, WPA3 PSK, and 802.1X EAP authentication protocols Wi-Fi access point
Bluetooth	5.0 dual mode

Embedded Android OS	
Operating system	Android version 13.0
CPU	Quad-core
Memory	8 GB DDR4
Storage	64 GB
Screen sharing	✓
Web browser	✓
Input select	✓
SMART Remote Management ²	✓
Languages supported	Chinese (simplified) Chinese (traditional) Czech Danish Dutch English Estonian Finnish French German Greek Hungarian Italian Japanese Lithuanian Norwegian Polish Portuguese Romanian Russian Spanish Swedish Turkish
Updates	Over-the-air (OTA)

PC computing	
OPS support ³	SMART PCM modules or AMG1 appliance
PC module power supported OPS	90 W
Optional computing module	See > smarttech.com/accessories



Vragen?

Bel 038 - 420 90 90 of mail info@smartboard.nl
www.smartboard.nl

Inputs	Front	Back
OPS PC accessory slot	-	1
HDMI® 2.0 with HDCP 1.4 and HDCP 2.2 support	1	2
Display Port 1.2	-	1
VGA video	-	1
Stereo 3.5 mm (variable)	-	1
RS-232 (DB-9 connector)	-	1
RJ45 (LAN IN)	-	1
USB Type-C 4K @ 60Hz Display Port alternate mode, digital audio, USB 3.2 Gen 1 (DFP) for peripherals; 15 W power delivery	1	-
USB Type-C 4K @ 60Hz Display Port alternate mode, digital audio, USB 2.0 Hi-Speed USB	-	1
USB 2.0 Type-A	-	1
USB 3.2 Gen 1 Type-A	2	2

Outputs	Front	Back
HDMI 2.0 with HDCP 1.4 and 2.2 support	-	1
Stereo 3.5 mm (variable)	-	1
S/PDIF optical (fixed)	-	1
RJ45 (LAN OUT)	-	1

Included cables and accessories	Qty
Country-specific power cable	1
6' (1.8 m) USB 3.2 Gen 1 Type-C cable, 5A	1
External dual-band Wi-Fi (2.4 and 5 GHz) and Bluetooth® (2.4 GHz) antennas	2
Remote control with Air Mouse mode	1
AAA batteries	2
Illustrated installation instructions	1
Important information document	1

Storage and operating requirements	
Power requirements	100V to 240V AC, 50 Hz to 60 Hz
Operating temperature	32–104°F (0–40°C)
Storage temperature	14–140°F (-10–60°C)
Humidity	20–80% relative humidity, non-condensing

Power consumption	
Typical	65": 79 W 75": 88 W 86": 119 W
Standby	<0.5 W

Certification and compliance ⁴	
Regulatory models	IDGX65-2 IDGX75-2 IDGX86-2
US / Canada	cULus FCC ISED TSCA CONEG Packaging Proposition 65
EU / EEA / EFTA / UK	CE UKCA LVD CB EMC RED REACH RoHS Battery WEEE Packaging POP Ecodesign
Australia / New Zealand	RCM
Performance standards	ENERGY STAR® HDMI HDCP

Purchasing information ⁵	
Order numbers	
NX165	SMART Board® NX065 display with screen sharing
NX175	SMART Board NX075 display with screen sharing
NX186	SMART Board NX086 display with screen sharing

Optional accessories	
	See > smarttech.com/accessories
SMART Warranty	
	Terms and conditions and warranty upgrade options vary by region. Visit smarttech.com/warranty or contact your reseller for information.

Cable requirements	
	See > SMART cables and connectors guide (docs.smarttech.com/kb/171926)



Vragen?

Bel 038 - 420 90 90 of mail info@smartboard.nl
www.smartboard.nl

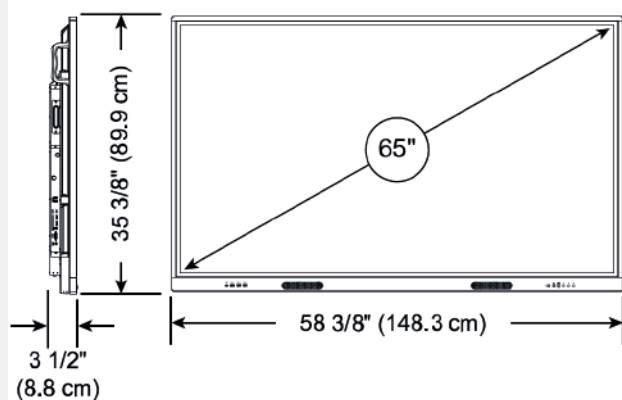
Installation, dimensions, and weights

Notes

- All dimensions $\pm 1/8"$ (0.3 cm). All weights ± 2 lb. (0.9 kg).
- Product ships upright.

65" models

Dimensions



Weight

82 lb. (37 kg)

Shipping dimensions (including pallet)

63 3/4" \times 45 7/8" \times 6 1/4"
(162 cm \times 116.5 cm \times 16 cm)

Shipping weight

118 lb. (54 kg)

VESA mount

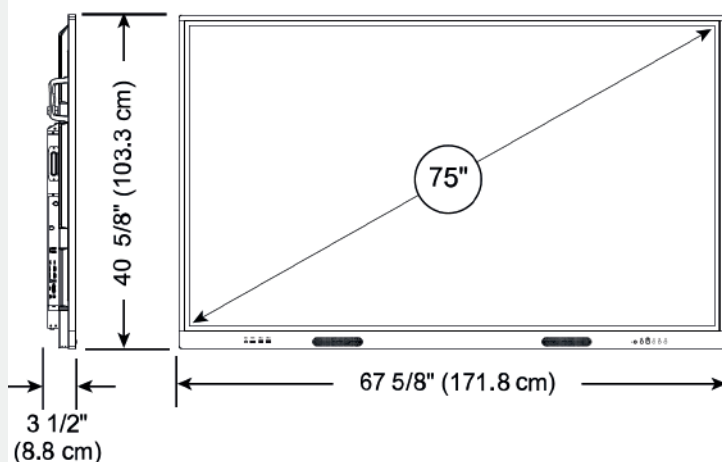
M8 | 600 \times 400 mm

Handles

2

75" models

Dimensions



Weight

114 lb. (52 kg)

Shipping dimensions (including pallet)

71 5/8" \times 50 5/8" \times 6 1/4"
(182 cm \times 128.5 cm \times 16 cm)

Shipping weight

158 lb. (71 kg)

VESA mount

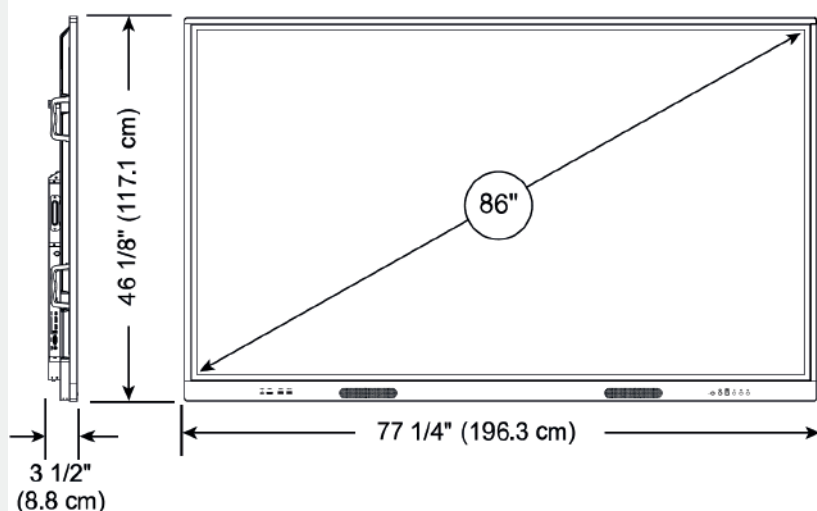
M8 | 800 \times 400 mm

Handles

2

86" models

Dimensions



Weight

143 lb. (65 kg)

Shipping dimensions (including pallet)

85 1/4" \times 56 7/8" \times 6 1/4"
(216.5 cm \times 144.5 cm \times 16.0 cm)

Shipping weight

198 lb. (90 kg)

VESA mount

M8 | 800 \times 600 mm

Handles

4